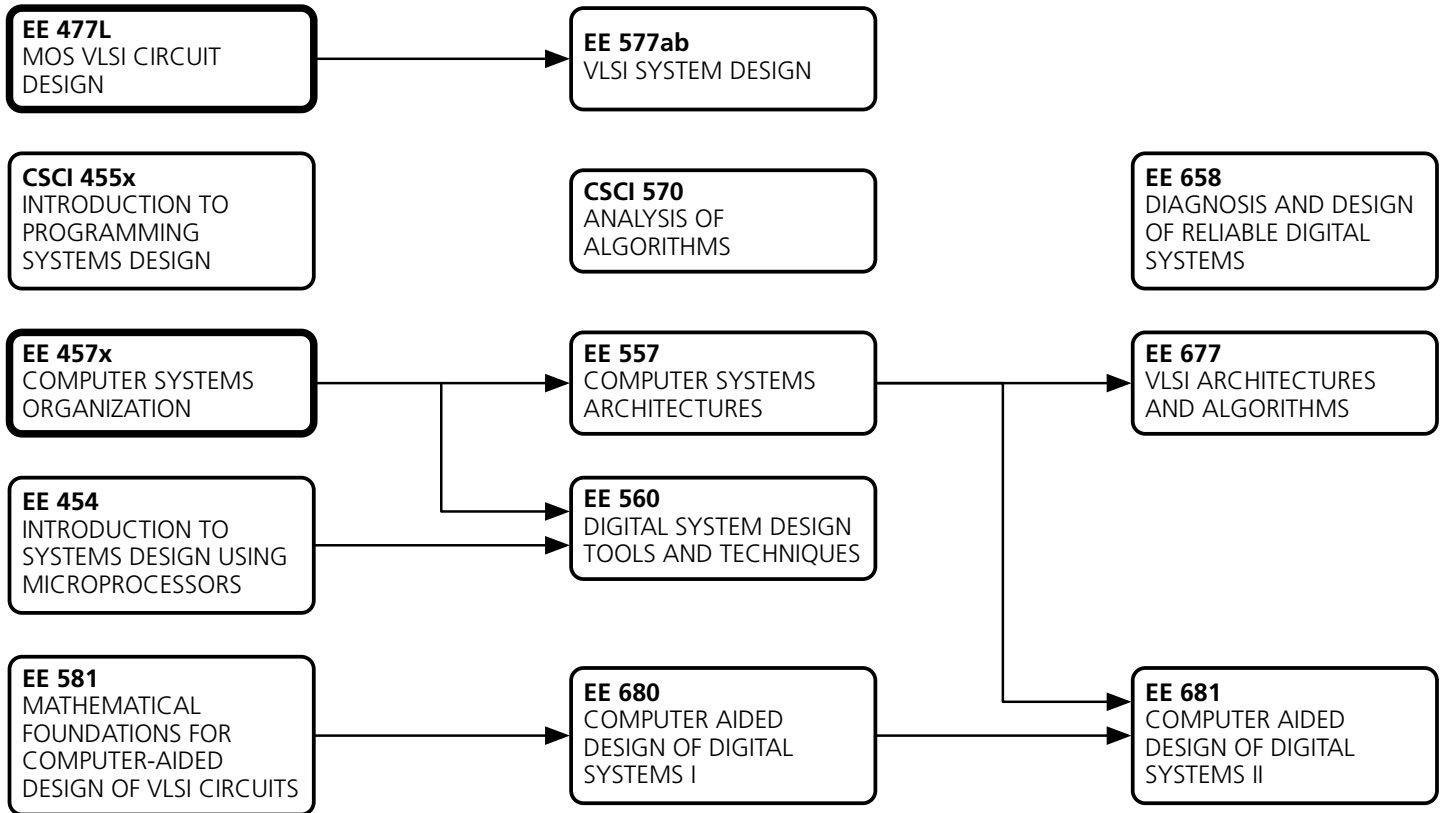
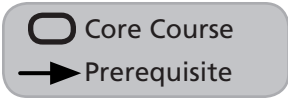




## Design and Implementation of Digital Circuits (VLSI)



This flowchart shows course relationship. Please check the University Catalogue for specific course details.

Rev. 200908